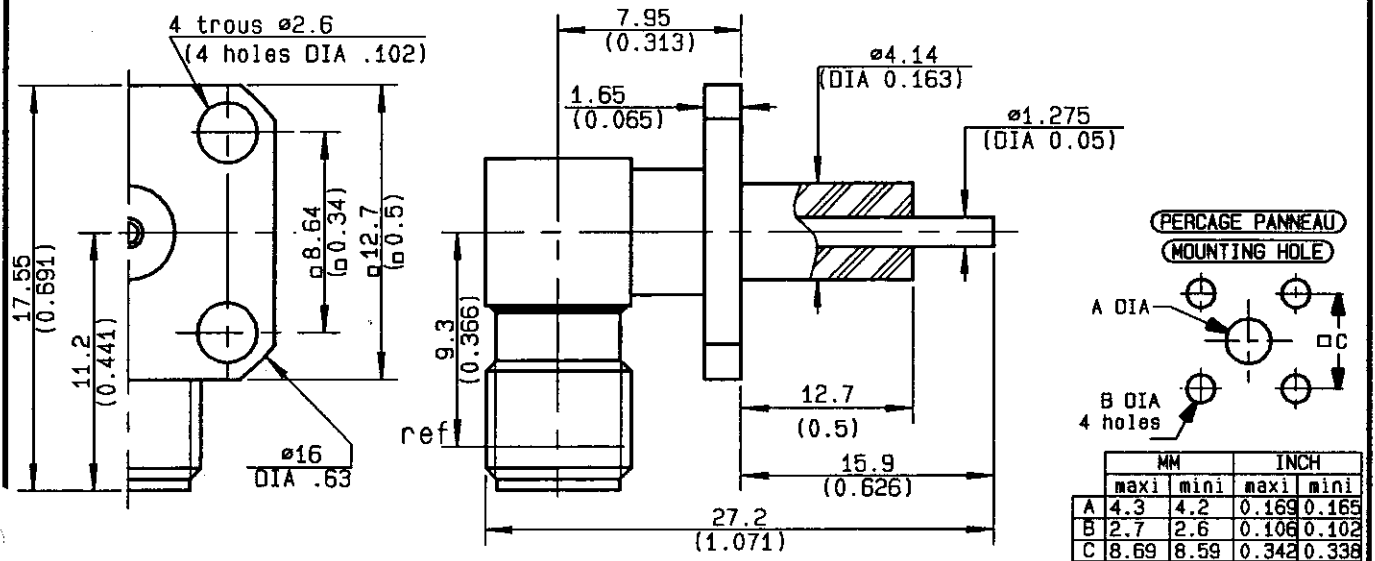


**RIGHT ANGLE SQUARE FLANGE RECEPTACLE**

**R125.654.450X**

**SERIES**

**SMA X**



NOMINAL IMPEDANCE	50 $\Omega$
FREQUENCY RANGE	0-18 GHz
TEMPERATURE RATING	-65/+165 °C
V.S.W.R	1.05 + .01 x F(GHz)Maxi
RF INSERTION LOSS	0.06 $\sqrt{F}$ (GHz) dB Maxi
VOLTAGE RATING	335 Veff Maxi
DIELECTRIC WITHSTANDING VOLTAGE	1000 Veff Mini
INSULATION RESISTANCE	5000 M $\Omega$ Mini
HERMETIC SEAL	NA Atm.cm <sup>3</sup> /s
LEAKAGE (pressurized only)	NA
MECHANICAL DURABILITY	500 Cycles
WEIGHT	5 gr
SPECIFICATION	

CABLES :

OTHERS CHARACTERISTICS

Test de LAT non requis RADIALL RAD C2612

CABLE RETENTION	NA	N Mini
CENTER CONTACT RETENTION		
Axial force - mating end	27	N Mini
Axial force - opposite end	27	N Mini
Torque	NA	cm.N Mini
RECOMMENDED TORQUES		
Mating	100	cm.N
Panel nut	NA	cm.N
Clamp nut	NA	cm.N

CONNECTOR PARTS	MATERIALS	FINISH	(all values are given in micrometers)
BODY	STAINLESS STEEL	GOLD 0.5 OVER NICKEL 2	
OUTER CONTACT	STAINLESS STEEL	GOLD 0.5 OVER NICKEL 2	
CENTER CONTACT	BERYLLIUM COPPER	GOLD 1.3 OVER NICKEL 2	
INSULATOR	PTFE	-	
GASKET		-	
OTHERS PIECES			

ISSUE

CREATION DATE

FILE PART-NUMBER

9743A00

10-SEP-97

97-1206-129



**RADIALL**

The information given here is subject to change without notice. Design changes may be in order to improve the product.

Connect to the future